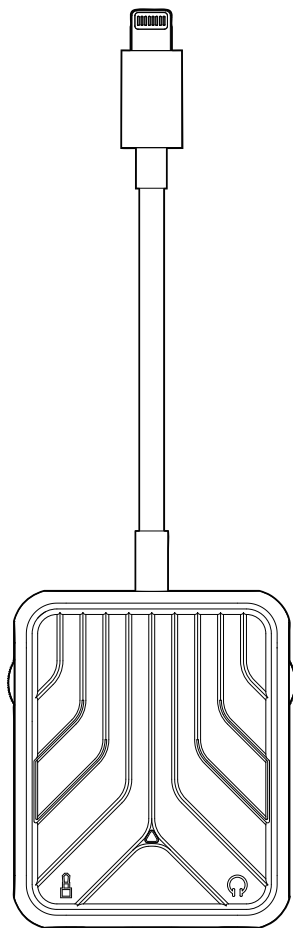


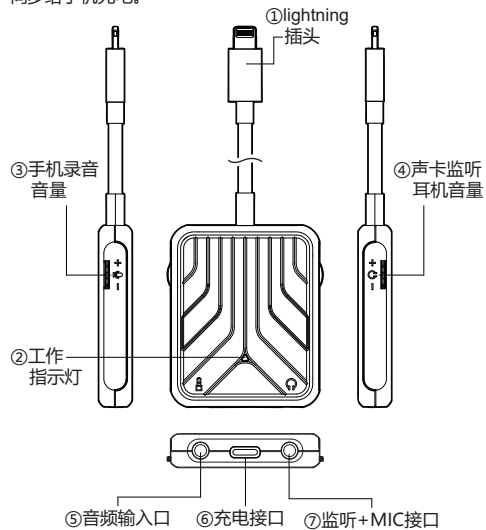
直播声卡转换器 使用说明书



MZ-394

产品特点

本产品直播声卡转换器通过IPHONE手机的lightning接口把外部设备输出的音频数字化无损采集到手机上, 适用于录音、K歌、使用语音聊天、直播等, 且支持直播时连麦PK。使用时可同步给手机充电。

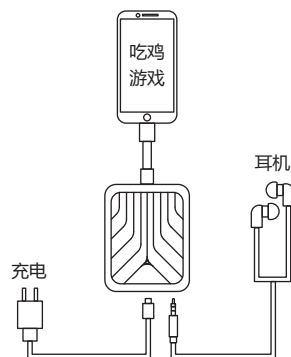


功能介绍

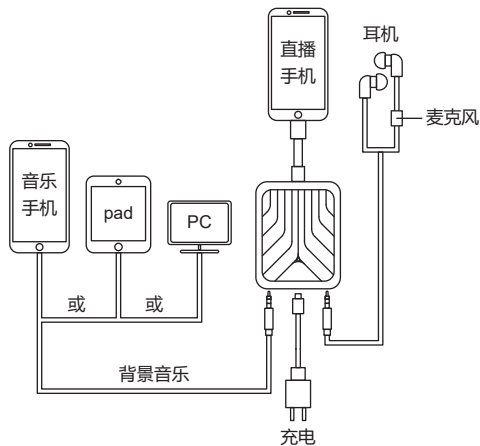
- ①连接手机的充电插头lightning;
- ②工作指示灯;
- ③录音、直播间整体音量调节旋钮(按直播间实际情况不一定要开最大音量);
- ④监听耳机音量调节旋钮(按个人习惯调节即可);
- ⑤外部音频输入接口(使用直播声卡转换器原配音频线连接到声卡的耳机输出孔即可, 如使用手机声卡也是连接输出孔, 请勿连接手机直播孔);
- ⑥接手机充电线(请用原装充电器充电);
- ⑦监听耳机输出(把声卡监听耳机插到此孔), 支持录音输入。

连接示意图

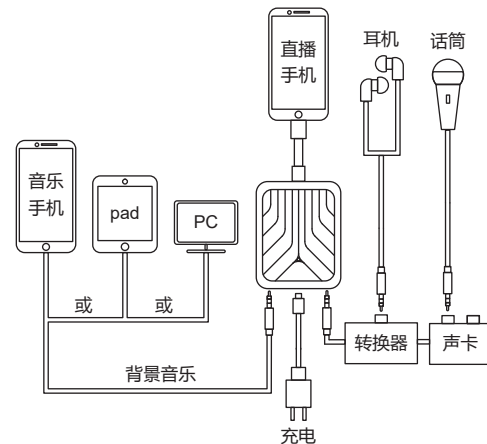
①连接打游戏连接方法



②直接连接方法



③外接转换器连接方法



注意事项

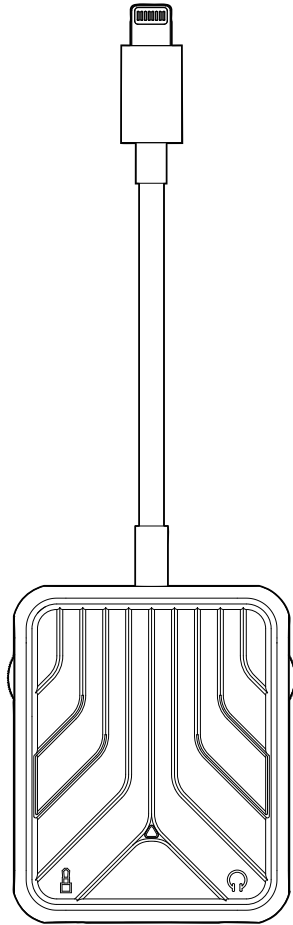
采集器根据用户使用情况设计了输入、输出音量可调, 如直播间粉丝反映有杂音、爆音问题, 调整录音音量即可。如直播间粉丝反映声音小, 把录音音量调大。

技术参数

产品名称: 直播声卡转换器 工作电压: 3.3V
产品型号: MZ-394 工作电流: 15~82mA

Sound Card Audio Adapter

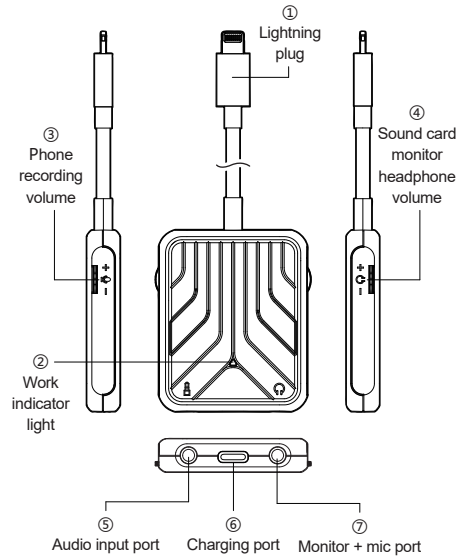
Use Manual



MZ-394

Product features

The live sound card converter digitizes the audio output from the external device and collects it to the mobile phone without loss, which is suitable for recording, singing, using voice chat, live broadcast, etc., and supports microphone PK during live broadcast. When in use, it can charge the phone synchronously.



Function introduction

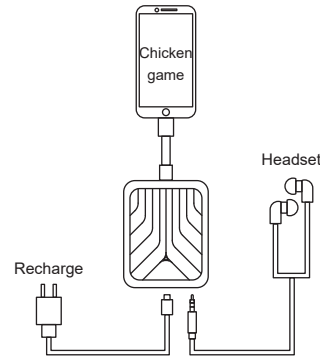
- ① Connect the charging plug lightning of the mobile phone;
- ② Work indicator light;
- ③ The overall volume adjustment knob of recording and live broadcasting room (according to the actual situation of the live broadcasting room, it is not necessary to turn on the maximum volume);
- ④ Monitor headphone volume adjustment knob (adjust according to personal habits);
- ⑤ External audio input interface (use the original audio cable of the live sound card converter to connect to the headphone output hole of the sound card. If you use a

mobile phone sound card, it is also connected to the output hole, please do not connect to the mobile phone live hole);

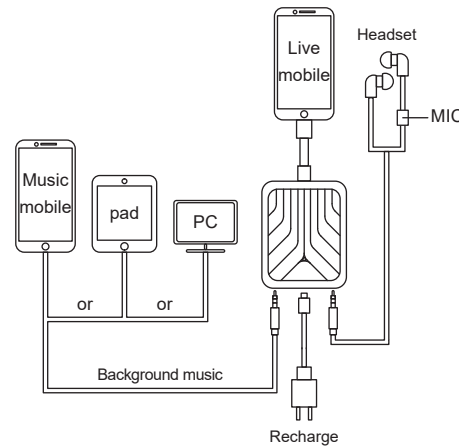
- ⑥ Connect the mobile phone charging cable (please use the original charger for charging);
- ⑦ Monitor headphone output (insert the sound card monitor headphone into this hole), support recording input.

Connection diagram

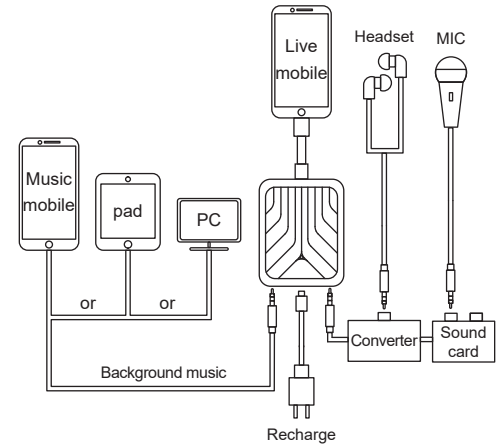
① Game connection method



② Direct connection method



③ Connection method of external adapter



Precautions

The collector is designed to adjust the input and output volume according to the user's usage. If fans in the live broadcast room report noise or popping problems, just adjust the recording volume. If the fans in the live broadcast room report that the voice is low, increase the recording volume.

Technical Parameters

Product name: sound card audio adapter
Product model: MZ-394
Working voltage: 3.3V
Working current: 15~82mA